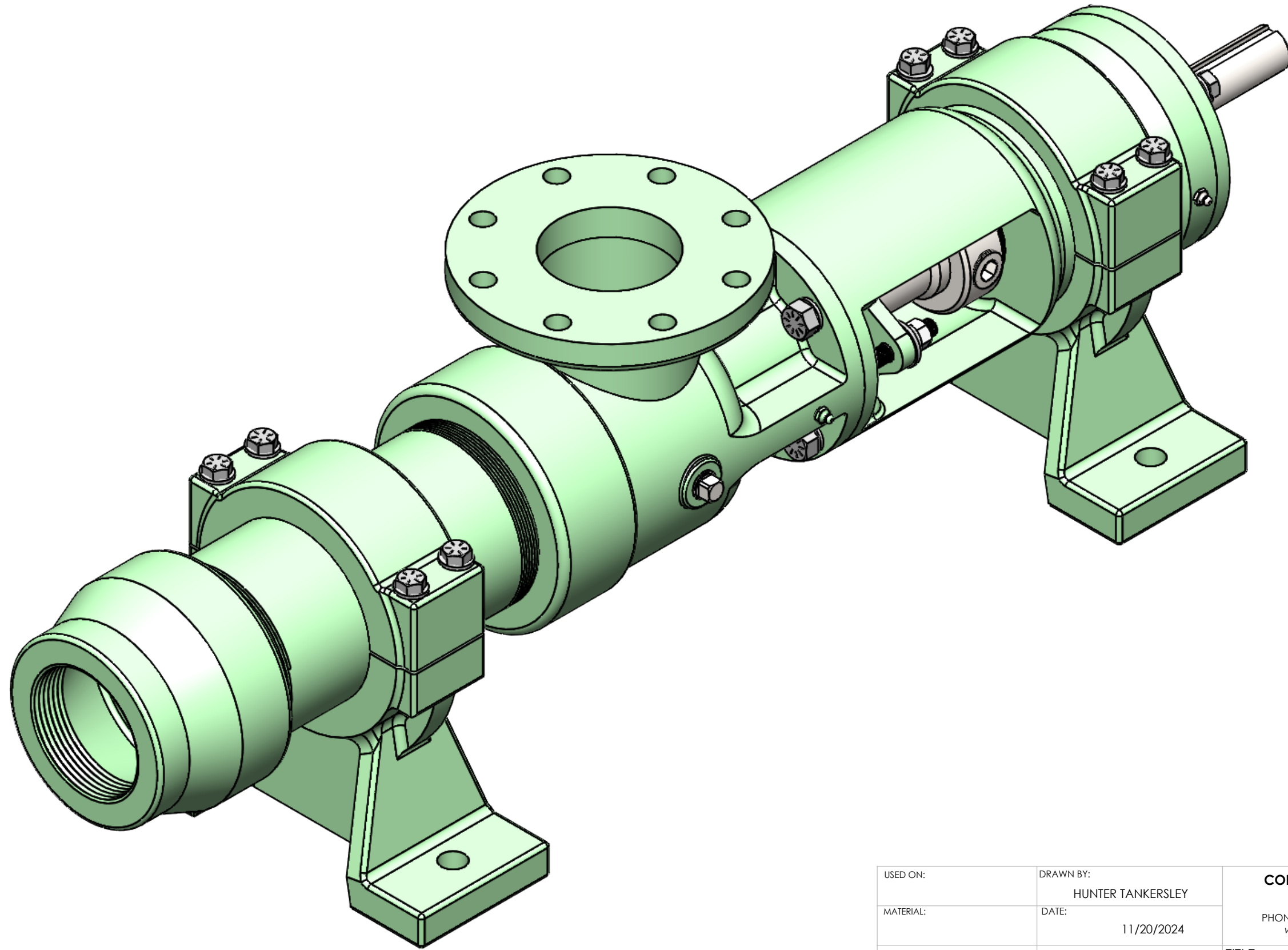
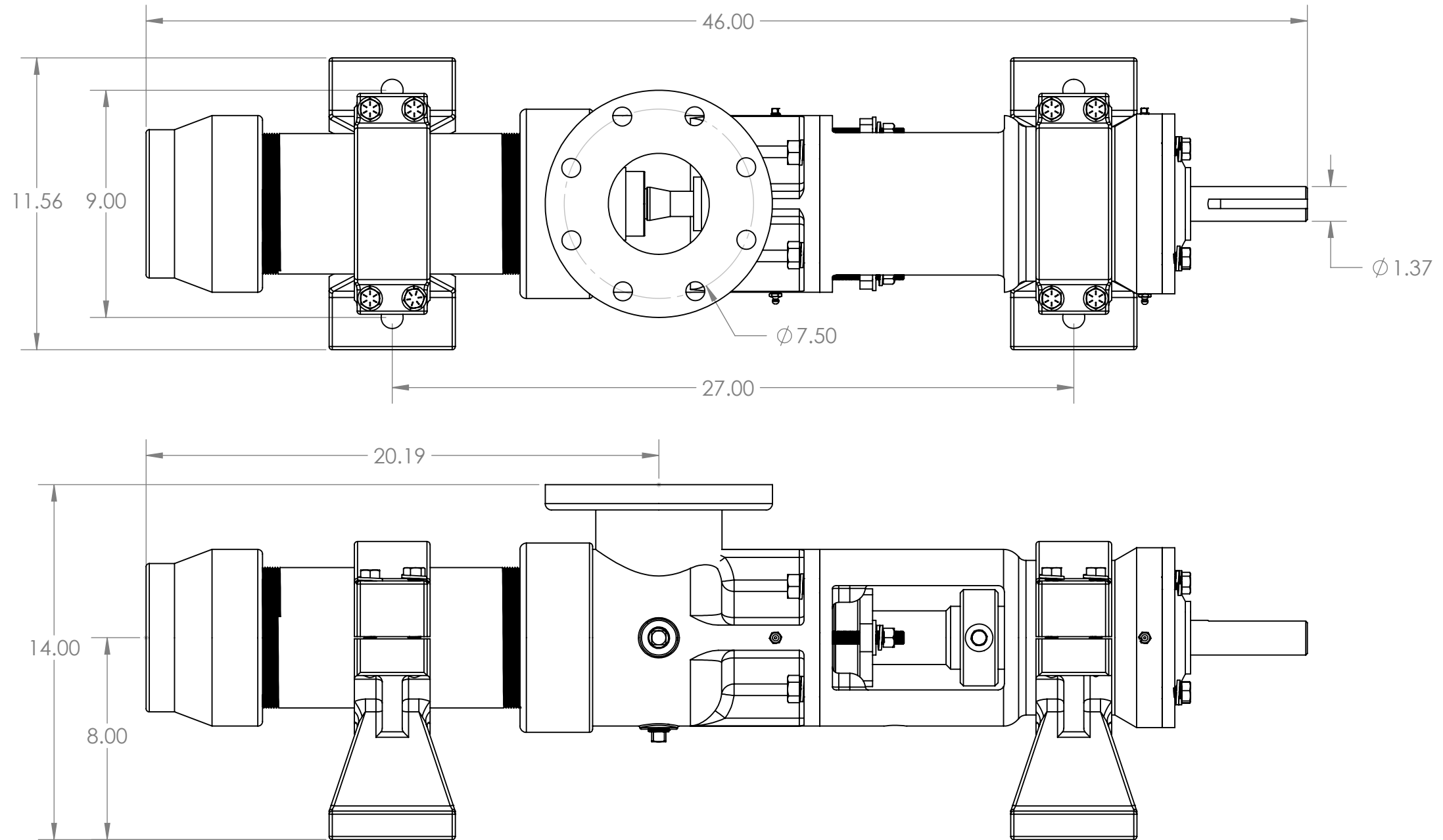


**CONTINENTAL**  
 PROGRESSING CAVITY  
 ULTRAPUMP



USED ON:	DRAWN BY: HUNTER TANKERSLEY	<b>CONTINENTAL PUMP COMPANY</b> 29425 STATE HIGHWAY B WARRENTON, MISSOURI 63383 PHONE: (636) 456-6006 FAX: (636) 456-4337 <a href="http://www.continentalultrapumps.com">www.continentalultrapumps.com</a>	
MATERIAL:	DATE: 11/20/2024	TITLE: 1CL8 ASSEMBLY DRAWING	
<b>UNLESS OTHERWISE SPECIFIED:</b> DIMENSIONS ARE IN INCHES TOLERANCES: FRACTIONAL ± ANGULAR: MACH ± BEND ± TWO PLACE DECIMAL ± THREE PLACE DECIMAL ±	<b>PROPRIETARY AND CONFIDENTIAL</b> THE INFORMATION CONTAINED IN THIS DRAWING IS THE SOLE PROPERTY OF CONTINENTAL PUMP COMPANY. ANY REPRODUCTION IN PART OR AS A WHOLE WITHOUT THE WRITTEN PERMISSION OF CONTINENTAL PUMP COMPANY IS PROHIBITED.	SIZE	REV
		DWG. NO.	-
		DO NOT SCALE DRAWING	SHEET 1 OF 2



**SUCTION SIZE - 4" 150# FLANGE  
DISCHARGE SIZE - 4" NPT**

USED ON:	DRAWN BY: HUNTER TANKERSLEY	<b>CONTINENTAL PUMP COMPANY</b> 29425 STATE HIGHWAY B WARRENTON, MISSOURI 63383 PHONE: (636) 456-6006 FAX: (636) 456-4337 <a href="http://www.continentalultrapumps.com">www.continentalultrapumps.com</a>
MATERIAL:	DATE: 11/20/2024	
<b>UNLESS OTHERWISE SPECIFIED:</b> DIMENSIONS ARE IN INCHES TOLERANCES: FRACTIONAL ± ANGULAR: MACH ± BEND ± TWO PLACE DECIMAL ± THREE PLACE DECIMAL ±	<b>PROPRIETARY AND CONFIDENTIAL</b> THE INFORMATION CONTAINED IN THIS DRAWING IS THE SOLE PROPERTY OF CONTINENTAL PUMP COMPANY. ANY REPRODUCTION IN PART OR AS A WHOLE WITHOUT THE WRITTEN PERMISSION OF CONTINENTAL PUMP COMPANY IS PROHIBITED.	<b>TITLE:</b> 1CL8 ASSEMBLY DRAWING
	<b>SIZE</b> DWG. NO.	<b>REV</b> -
DO NOT SCALE DRAWING		SHEET 2 OF 2