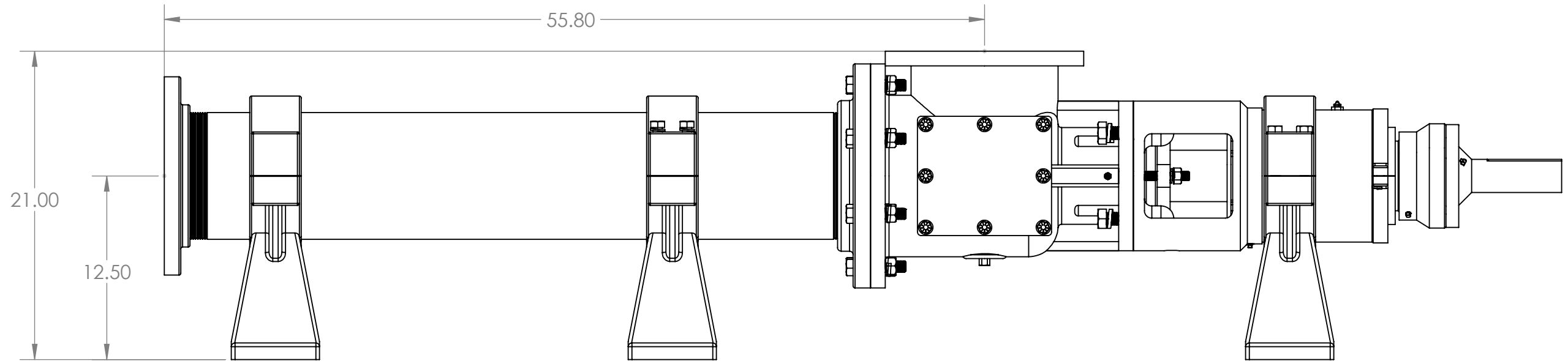
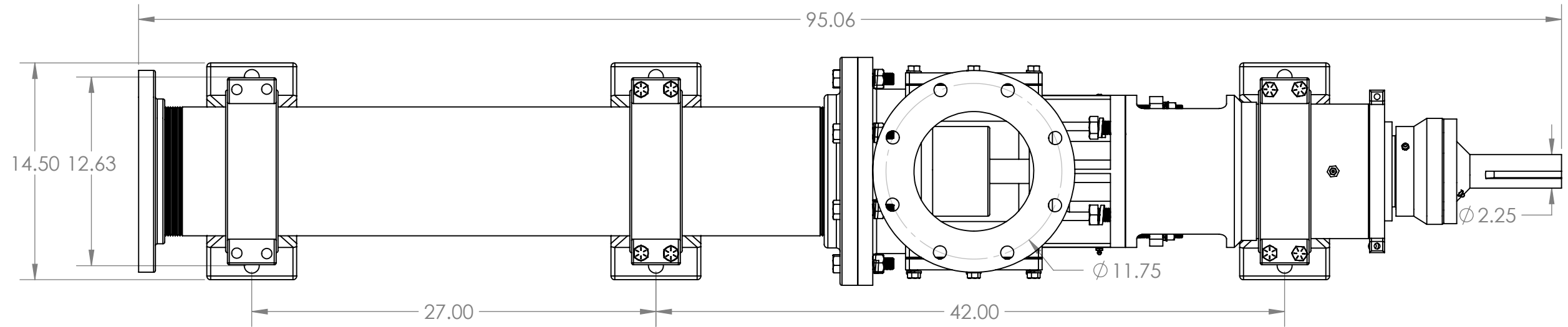


USED ON:	DRAWN BY: HUNTER TANKERSLEY	<b>CONTINENTAL PUMP COMPANY</b> 29425 STATE HIGHWAY B WARRENTON, MISSOURI 63383 PHONE: (636) 456-6006 FAX: (636) 456-4337 <a href="http://www.continentalultrapumps.com">www.continentalultrapumps.com</a>						
MATERIAL:	DATE: 1/7/2025							
<b>UNLESS OTHERWISE SPECIFIED:</b> DIMENSIONS ARE IN INCHES TOLERANCES: FRACTIONAL ± ANGULAR: MACH ± BEND ± TWO PLACE DECIMAL ± THREE PLACE DECIMAL ±	<b>PROPRIETARY AND CONFIDENTIAL</b> THE INFORMATION CONTAINED IN THIS DRAWING IS THE SOLE PROPERTY OF CONTINENTAL PUMP COMPANY. ANY REPRODUCTION IN PART OR AS A WHOLE WITHOUT THE WRITTEN PERMISSION OF CONTINENTAL PUMP COMPANY IS PROHIBITED.	<b>TITLE:</b> 3CG12 ASSEMBLY DRAWING <table border="1"> <tr> <td>SIZE</td> <td>DWG. NO.</td> <td>REV</td> </tr> <tr> <td></td> <td></td> <td>-</td> </tr> </table>	SIZE	DWG. NO.	REV			-
SIZE	DWG. NO.	REV						
		-						
DO NOT SCALE DRAWING		SHEET 1 OF 2						



**SUCTION SIZE - 8" 150# FLANGE**  
**DISCHARGE SIZE - 8" 150# FLANGE**

USED ON:	DRAWN BY: HUNTER TANKERSLEY	<b>CONTINENTAL PUMP COMPANY</b> 29425 STATE HIGHWAY B WARRENTON, MISSOURI 63383 PHONE: (636) 456-6006 FAX: (636) 456-4337 <a href="http://www.continentalultrapumps.com">www.continentalultrapumps.com</a>						
MATERIAL:	DATE: 1/7/2025							
<b>UNLESS OTHERWISE SPECIFIED:</b> DIMENSIONS ARE IN INCHES TOLERANCES: FRACTIONAL ± ANGULAR: MACH ± BEND ± TWO PLACE DECIMAL ± THREE PLACE DECIMAL ±	<b>PROPRIETARY AND CONFIDENTIAL</b> THE INFORMATION CONTAINED IN THIS DRAWING IS THE SOLE PROPERTY OF CONTINENTAL PUMP COMPANY. ANY REPRODUCTION IN PART OR AS A WHOLE WITHOUT THE WRITTEN PERMISSION OF CONTINENTAL PUMP COMPANY IS PROHIBITED.	<b>TITLE:</b> 3CG12 ASSEMBLY DRAWING						
		<table border="1"> <tr> <td>SIZE</td> <td>DWG. NO.</td> <td>REV</td> </tr> <tr> <td></td> <td></td> <td>-</td> </tr> </table>	SIZE	DWG. NO.	REV			-
SIZE	DWG. NO.	REV						
		-						
		DO NOT SCALE DRAWING      SHEET 2 OF 2						