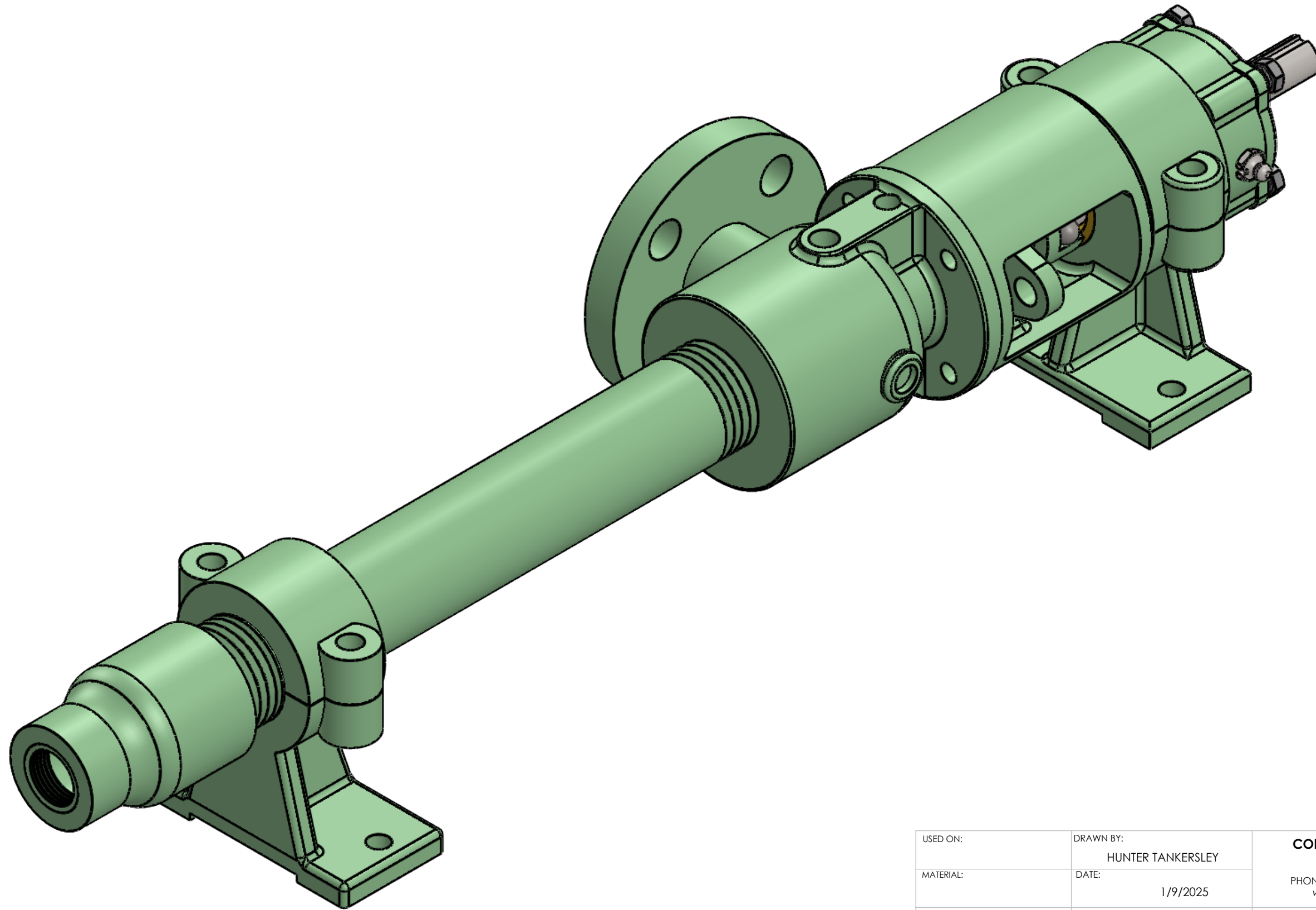




SUCTION ROTATED 90 DEGREES



| | | | |
|---|--------------------------------|--|----------------|
| USED ON: | DRAWN BY: HUNTER TANKERSLEY | CONTINENTAL PUMP COMPANY 29425 STATE HIGHWAY B WARRENTON, MISSOURI 63383 PHONE: (636) 456-6006 FAX: (636) 456-4337 www.continentalultrapumps.com | |
| MATERIAL: | DATE: 1/9/2025 | TITLE: 6CM1 ASSEMBLY DRAWING | |
| UNLESS OTHERWISE SPECIFIED: DIMENSIONS ARE IN INCHES TOLERANCES: FRACTIONAL ± ANGULAR: MACH ± BEND ± TWO PLACE DECIMAL ± THREE PLACE DECIMAL ± | | SIZE | DWG. NO. _____ |
| PROPRIETARY AND CONFIDENTIAL THE INFORMATION CONTAINED IN THIS DRAWING IS THE SOLE PROPERTY OF CONTINENTAL PUMP COMPANY. ANY REPRODUCTION IN PART OR AS A WHOLE WITHOUT THE WRITTEN PERMISSION OF CONTINENTAL PUMP COMPANY IS PROHIBITED. | | REV | - |
| | | DO NOT SCALE DRAWING SHEET 1 OF 2 | |



D

D

C

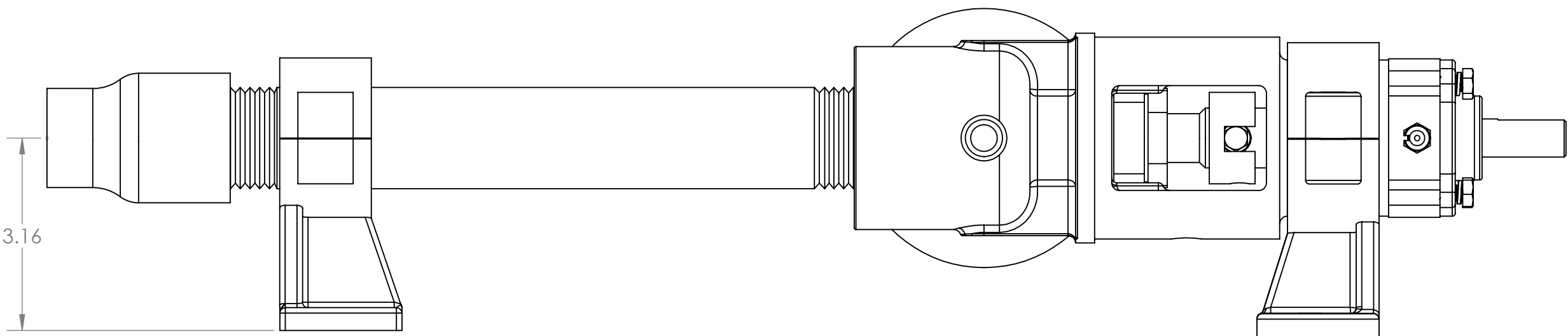
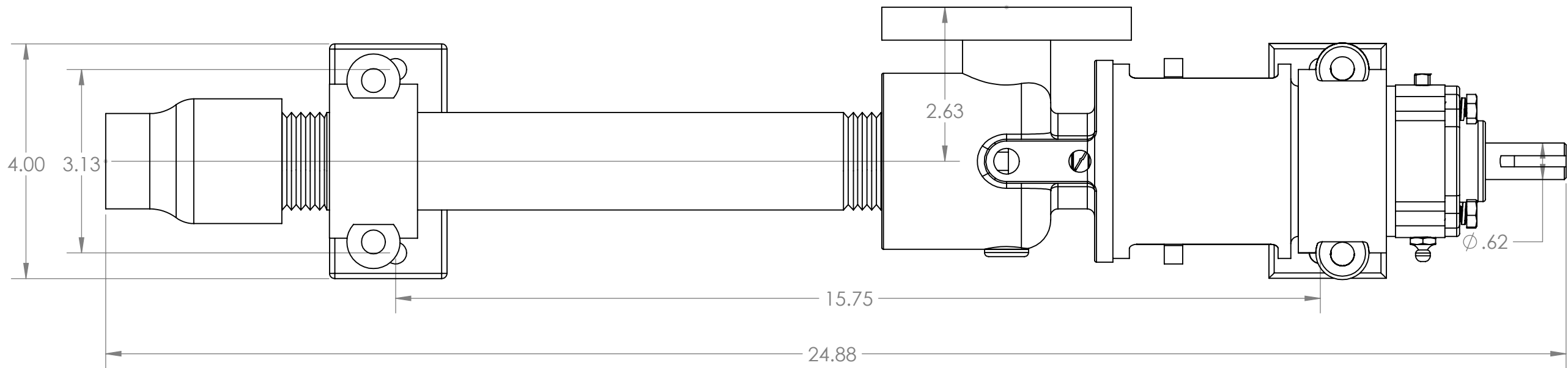
C

B

B

A

A



SUCTION SIZE - 1" 150# FLANGE
DISCHARGE SIZE - 3/4" NPT

| | | |
|---|---|--|
| USED ON: | DRAWN BY: HUNTER TANKERSLEY | CONTINENTAL PUMP COMPANY 29425 STATE HIGHWAY B WARRENTON, MISSOURI 63383 PHONE: (636) 456-6006 FAX: (636) 456-4337 www.continentalultrapumps.com |
| MATERIAL: | DATE: 1/9/2025 | |
| UNLESS OTHERWISE SPECIFIED: DIMENSIONS ARE IN INCHES TOLERANCES: FRACTIONAL ± ANGULAR: MACH ± BEND ± TWO PLACE DECIMAL ± THREE PLACE DECIMAL ± | PROPRIETARY AND CONFIDENTIAL THE INFORMATION CONTAINED IN THIS DRAWING IS THE SOLE PROPERTY OF CONTINENTAL PUMP COMPANY. ANY REPRODUCTION IN PART OR AS A WHOLE WITHOUT THE WRITTEN PERMISSION OF CONTINENTAL PUMP COMPANY IS PROHIBITED. | TITLE: 6CM1 ASSEMBLY DRAWING |
| | | SIZE DWG. NO. REV - |
| | | DO NOT SCALE DRAWING SHEET 2 OF 2 |