



## Dimensions & Weights

### CP Model

PUMPS	DIMENSIONS (INCHES)											WEIGHT (LBS)	PORT SIZES	
	A	B	C	D	E	F	G	H	J	K	U		INLET SUCTION	OUTLET DISCHARGE
CP15 CP22 CP33 CP44	12- 7/16"	6-13/16"	5- 5/8"	3- 1/2"	5- 3/4"	5- 1/2"	3- 1/4"	3- 11/16"	3- 3/8"	1- 7/16"	5/8"	15	3/4"	3/4"
CP56	16- 11/16"	9- 3/4"	6- 15/16"	4- 9/32"	7- 9/32"	7- 1/2"	6"	4- 3/4"	3- 9/16"	2- 3/8"	3/4"	40	1-1/2"	1-1/4"
CP67	19- 9/16"	11- 15/16"	7- 5/8"	4- 1/2"	8- 1/4"	8- 1/4"	6"	4- 7/8"	4- 9/16"	2- 1/8"	1"	85	2"	2"
PACKED CP15 CP22 CP33 CP44	14- 3/4"	6- 1/4"	8- 1/2"	3- 1/2"	5- 7/8"	5- 1/2"	3- 1/4"	3"	6- 7/16"	1- 7/16"	5/8"	18	3/4"	3/4"
PACKED CP56	18- 13/16"	9- 3/4"	9- 1/16"	4- 9/32"	7- 9/32"	7- 1/2"	6"	4- 3/4"	5- 11/16"	2- 3/8"	3/4"	44	1-1/2"	1-1/4"
PACKED CP67	22"	12"	10"	4- 1/2"	8- 1/4"	8- 1/4"	6"	4- 3/4"	7- 1/8"	2- 1/8"	1"	90	2"	2"
CPM15 CPM22 CPM33 CPM44	18- 3/4"	12"	6- 13/16"	3- 1/2"	5- 7/8"	5- 3/4"	6- 1/2"	4"	10- 3/4"	7"		48	3/4"	3/4"
CPM56	22- 15/16"	13- 3/16"	9- 3/4"	4- 1/2"	7- 1/2"	7- 1/2"	9"	10"	12- 15/16"	8- 1/4"		80	1-1/2"	1-1/4"
CPM67	25- 1/4"	13- 5/16"	12"	4- 1/2"	7- 3/4"	8- 1/4"	9"	10"	15- 5/16"	8- 5/8"		117	2"	2"
CPML15 CPML22 CPML33 CPML44	20- 3/8"	13- 9/16"	6- 13/16"	3- 1/2"	5- 3/4"	6- 1/2"	6- 1/2"	4"	13- 1/8"	6-3/4"		52	3/4"	3/4"
CPML56	25- 3/8"	13- 3/4"	9- 3/4"	4- 1/2"	7- 1/2"	7- 1/2"	9"	10"	13- 1/12"	8- 1/4"		85	1-1/2"	1-1/4"
CPML67	27- 7/8"	15- 7/8"	12"	4- 1/2"	7- 3/4"	8- 3/8"	9"	10"	17- 7/8"	8- 11/16"		125	2"	2"

Dimensions are for reference only.

Do not use above dimensions for limited space installations, request certified drawing.

∅ = diameter

**All CP pumps are offered with vertical housing option. See vertical housing dimensions.**

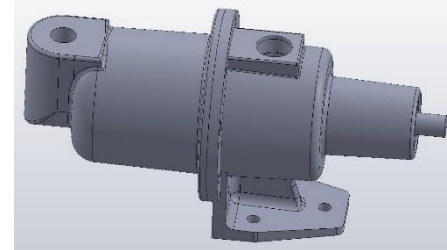
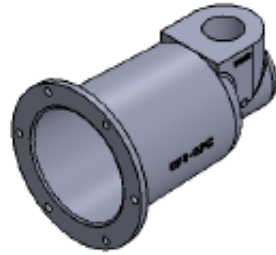
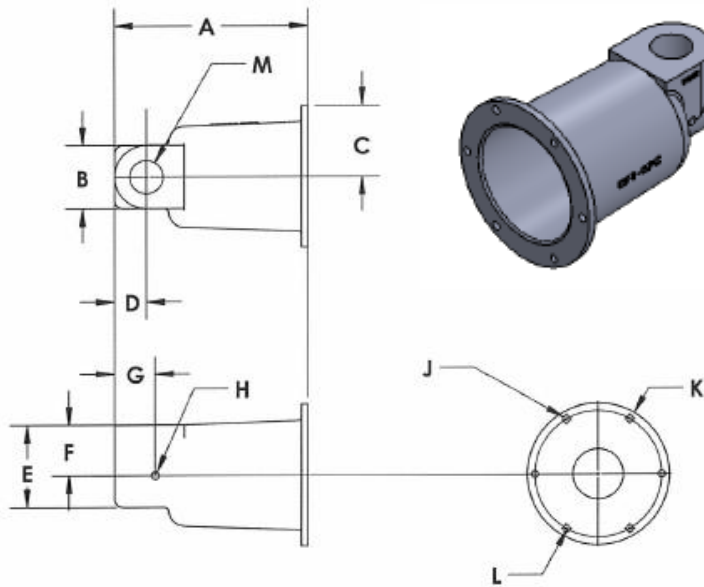
### Continental Pump Company

29425 State Hwy B | Warrenton, Missouri 63383 | Tel: 636-456-6006 | Fax: 636-456-4337 | Email:sales@con-pump.com

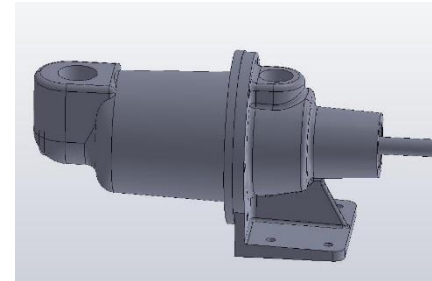
www.continentalultrapumps.com



### Vertical Housing Dimensions



CP15 · CP22 · CP33 · CP44



CP56 · CP67

VERTICAL HOUSING P/N	A	B	C	D	E	F	G	H	J	K	L	M
CPV1-15	5-1/2	2-1/16	2-3/4	1	3	1-15/16	NA	NA	1/4 x 8	5-1/2	4-7/8	3/4 NPT
CPV1-56	9	3	3-3/4	1-7/8	4-1/8	2-5/8	1-1/2	1/4	7/16 x 6	7-1/2	6-3/4	1-1/2 NPT
CPV1-67	11-1/4	3-11/16	4-1/8	1-13/16	4-3/4	2-15/16	2-3/8	1/4	7/16 x 6	8-1/4	7-3/8	2 NPT

All dimensions are in inches

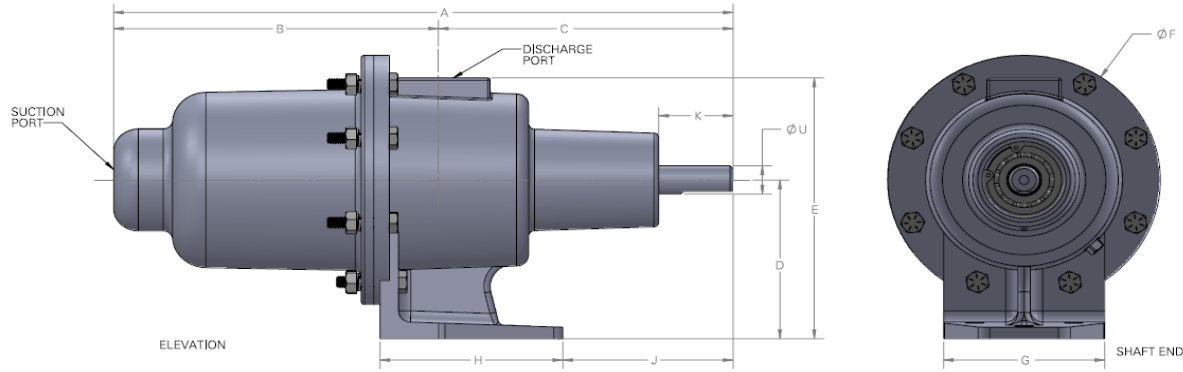
### Continental Pump Company

29425 State Hwy B | Warrenton, Missouri 63383 | Tel: 636-456-6006 | Fax: 636-456-4337 | Email: sales@con-pump.com

www.continentalultrapumps.com

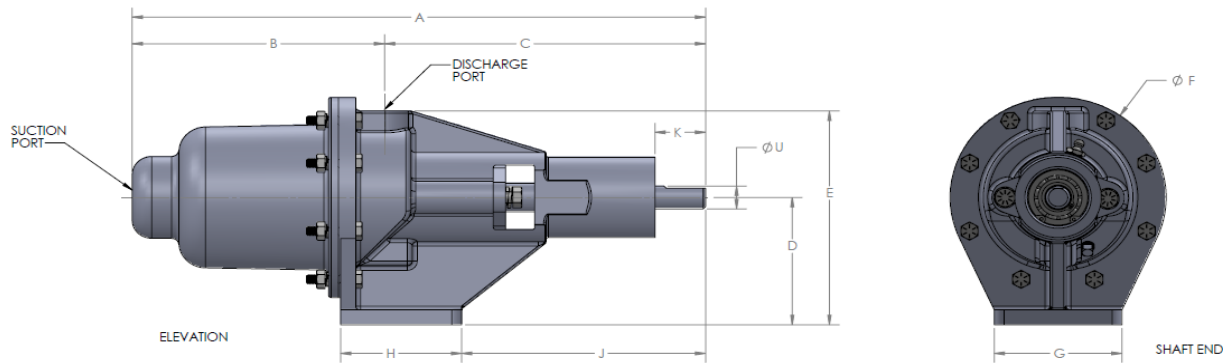


CP Model



CP15 - CP22 - CP33 - CP44 - CP56 - CP67  
MECHANICAL SEAL PUMP

\*Designate a "M" in pump nomenclature for a Mechanical Seal Pump Example: CP15-CSQMP



CP15 - CP22 - CP33 - CP44 - CP56 - CP67  
PACKED SEAL PUMP

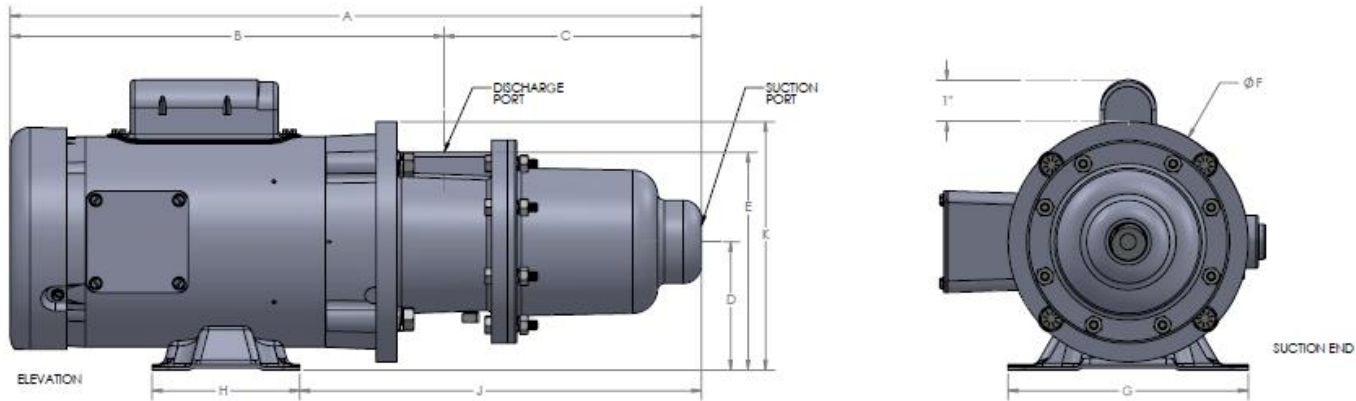
\*Designate a "D" in pump nomenclature for a Packing Gland Pump Example: CP15-CSQDP

**Continental Pump Company**

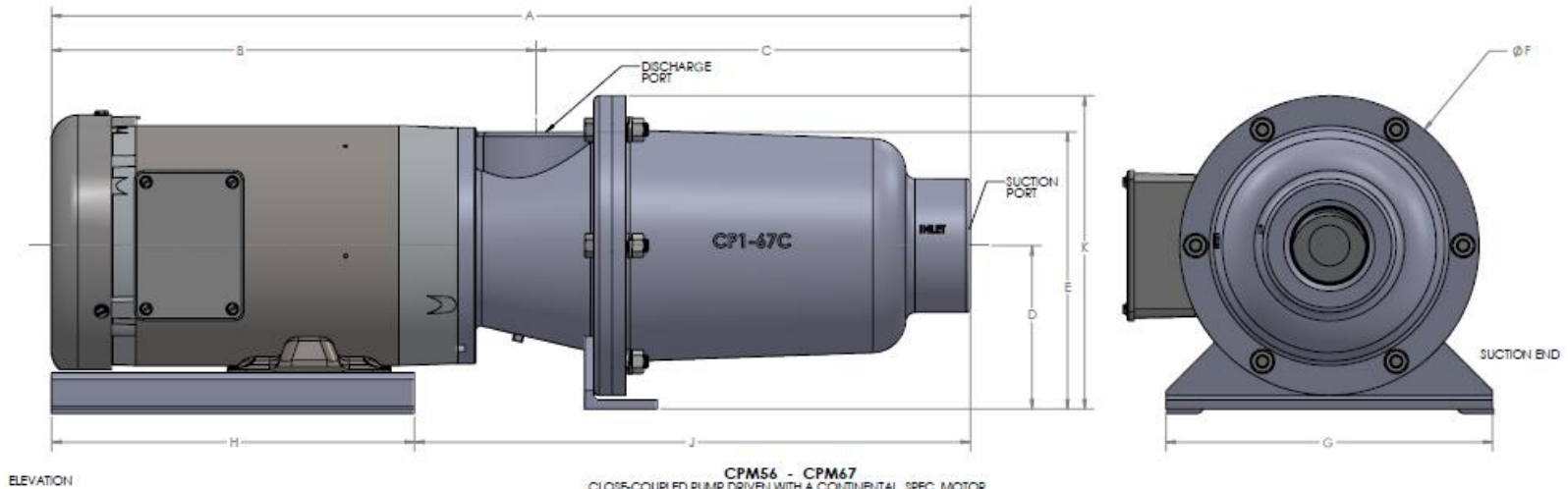
29425 State Hwy B | Warrenton, Missouri 63383 | Tel: 636-456-6006 | Fax: 636-456-4337 | Email: sales@con-pump.com  
www.continentalultrapumps.com



CPM Model



CPM15 - CPM22 - CPM33 - CPM44  
CLOSE-COUPLED PUMP DRIVEN WITH A CONTINENTAL SPEC. MOTOR



CPM56 - CPM67  
CLOSE-COUPLED PUMP DRIVEN WITH A CONTINENTAL SPEC. MOTOR

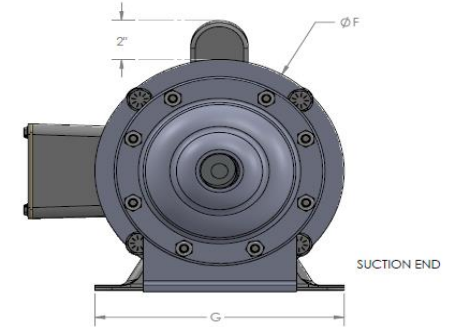
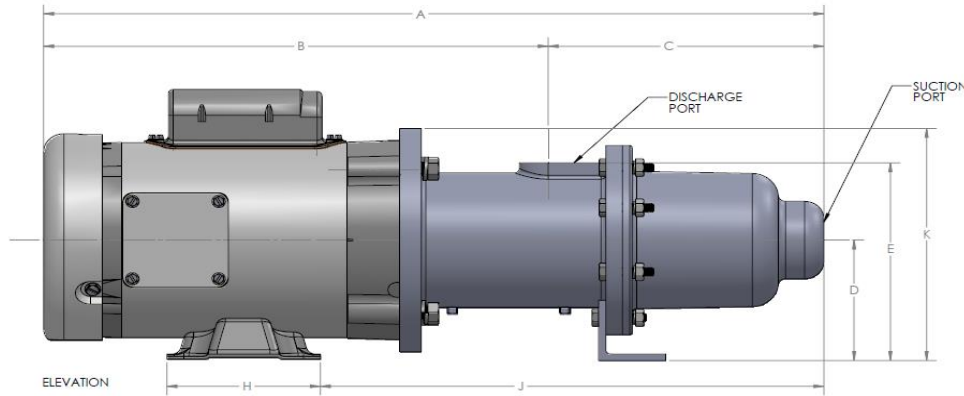
[Continental Pump Company](http://www.continentalultrapumps.com)

29425 State Hwy B | Warrenton, Missouri 63383 | Tel: 636-456-6006 | Fax: 636-456-4337 | Email: sales@con-pump.com

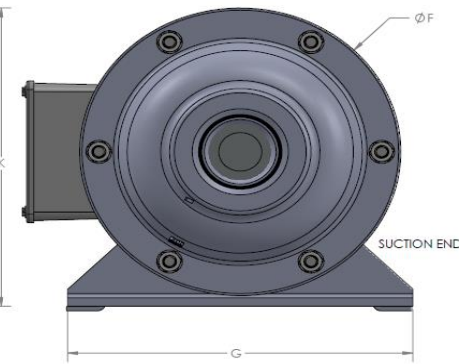
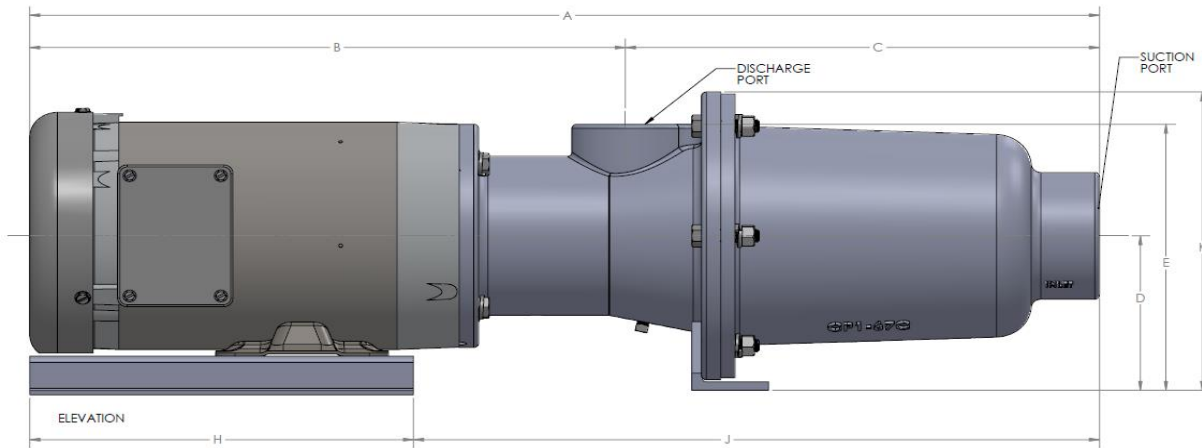
[www.continentalultrapumps.com](http://www.continentalultrapumps.com)



### CPML Model



CPML15 - CPML22 - CPML33 - CPML44  
CLOSE-COUPLED PUMP DRIVEN WITH A STANDARD MOTOR



CPML56 - CPML67  
CLOSE-COUPLED PUMP DRIVEN WITH A STANDARD MOTOR

**Continental Pump Company**

29425 State Hwy B | Warrenton, Missouri 63383 | Tel: 636-456-6006 | Fax: 636-456-4337 | Email: sales@con-pump.com

www.continentalultrapumps.com