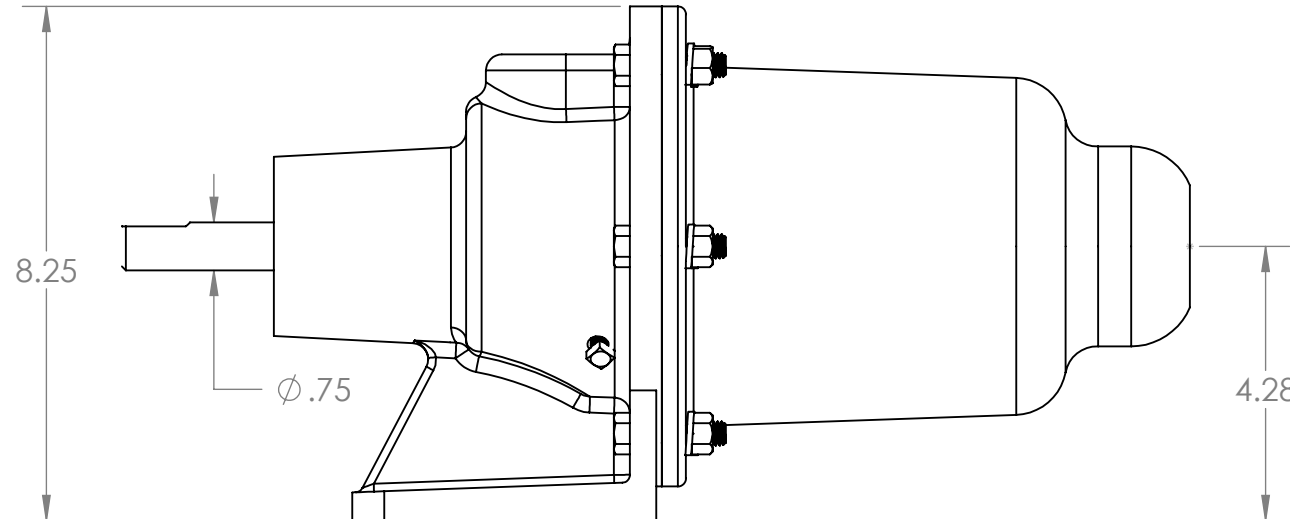
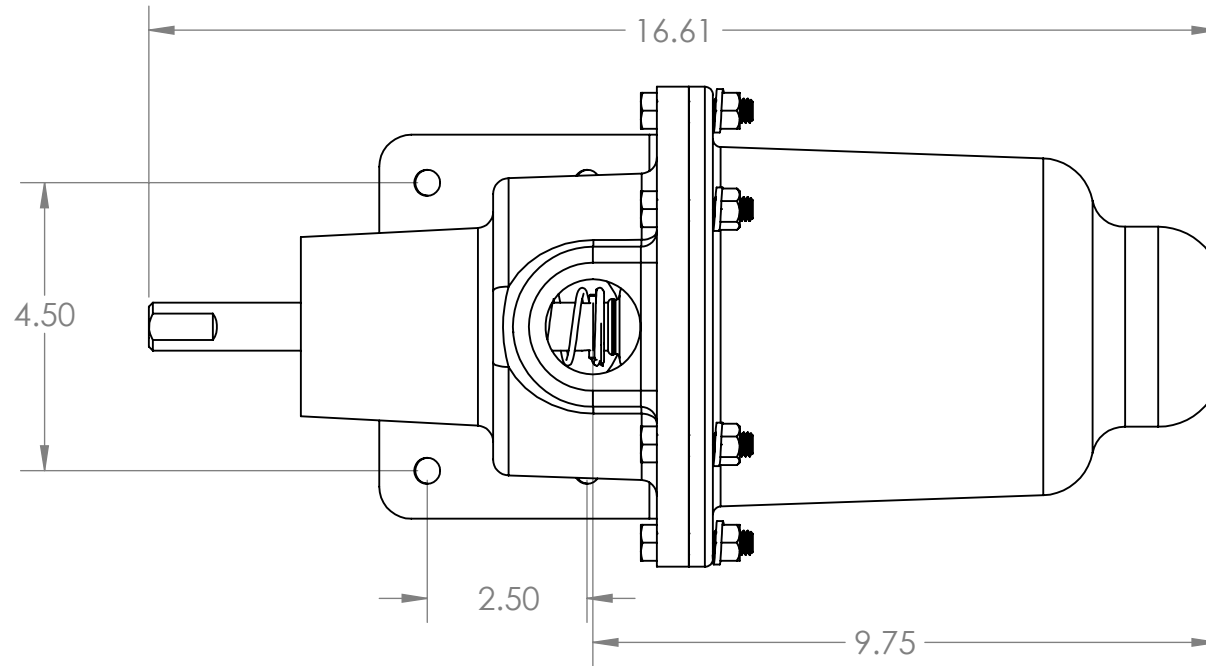


USED ON:	DRAWN BY: HUNTER TANKERSLEY	<b>CONTINENTAL PUMP COMPANY</b> 29425 STATE HIGHWAY B WARRENTON, MISSOURI 63383 PHONE: (636) 456-6006 FAX: (636) 456-4337 <a href="http://www.continentalultrapumps.com">www.continentalultrapumps.com</a>	
MATERIAL:	DATE: 1/7/2025	TITLE: CP56 ASSEMBLY DRAWING	
<b>UNLESS OTHERWISE SPECIFIED:</b> DIMENSIONS ARE IN INCHES TOLERANCES: FRACTIONAL ± ANGULAR: MACH ± BEND ± TWO PLACE DECIMAL ± THREE PLACE DECIMAL ±	<b>PROPRIETARY AND CONFIDENTIAL</b> THE INFORMATION CONTAINED IN THIS DRAWING IS THE SOLE PROPERTY OF CONTINENTAL PUMP COMPANY. ANY REPRODUCTION IN PART OR AS A WHOLE WITHOUT THE WRITTEN PERMISSION OF CONTINENTAL PUMP COMPANY IS PROHIBITED.	SIZE	DWG. NO.
		REV -	
		DO NOT SCALE DRAWING	
		SHEET 1 OF 2	



**SUCTION SIZE - 2" NPT**  
**DISCHARGE SIZE - 2" NPT**

USED ON:	DRAWN BY: HUNTER TANKERSLEY	<b>CONTINENTAL PUMP COMPANY</b> 29425 STATE HIGHWAY B WARRENTON, MISSOURI 63383 PHONE: (636) 456-6006 FAX: (636) 456-4337 <a href="http://www.continentalultrapumps.com">www.continentalultrapumps.com</a>	
MATERIAL:	DATE: 1/7/2025	TITLE: CP56 ASSEMBLY DRAWING	
<b>UNLESS OTHERWISE SPECIFIED:</b> DIMENSIONS ARE IN INCHES TOLERANCES: FRACTIONAL ± ANGULAR: MACH ± BEND ± TWO PLACE DECIMAL ± THREE PLACE DECIMAL ±	<b>PROPRIETARY AND CONFIDENTIAL</b> THE INFORMATION CONTAINED IN THIS DRAWING IS THE SOLE PROPERTY OF CONTINENTAL PUMP COMPANY. ANY REPRODUCTION IN PART OR AS A WHOLE WITHOUT THE WRITTEN PERMISSION OF CONTINENTAL PUMP COMPANY IS PROHIBITED.	SIZE	REV
		DWG. NO.	-
		DO NOT SCALE DRAWING	SHEET 2 OF 2