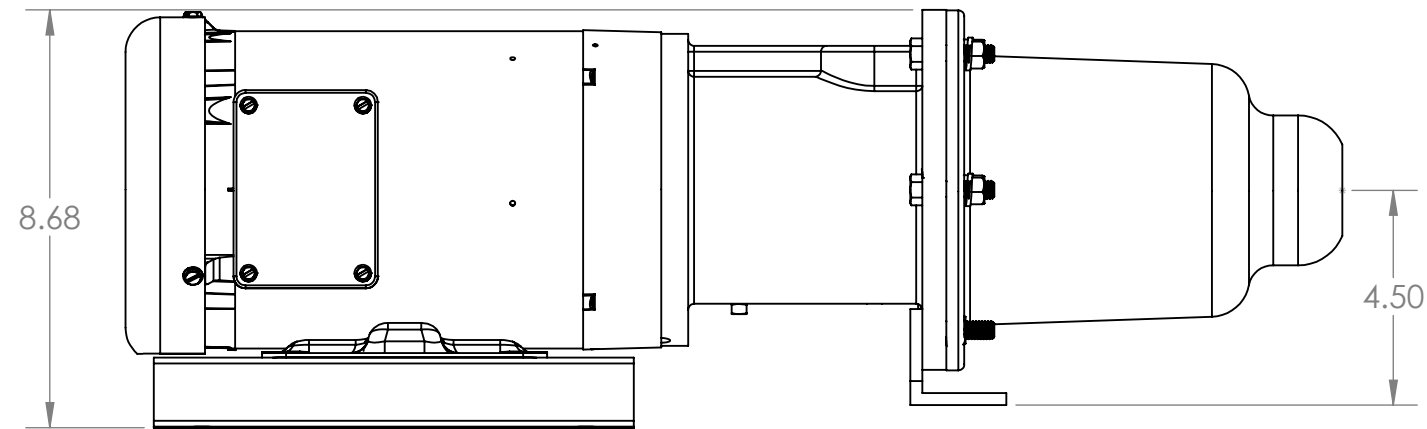
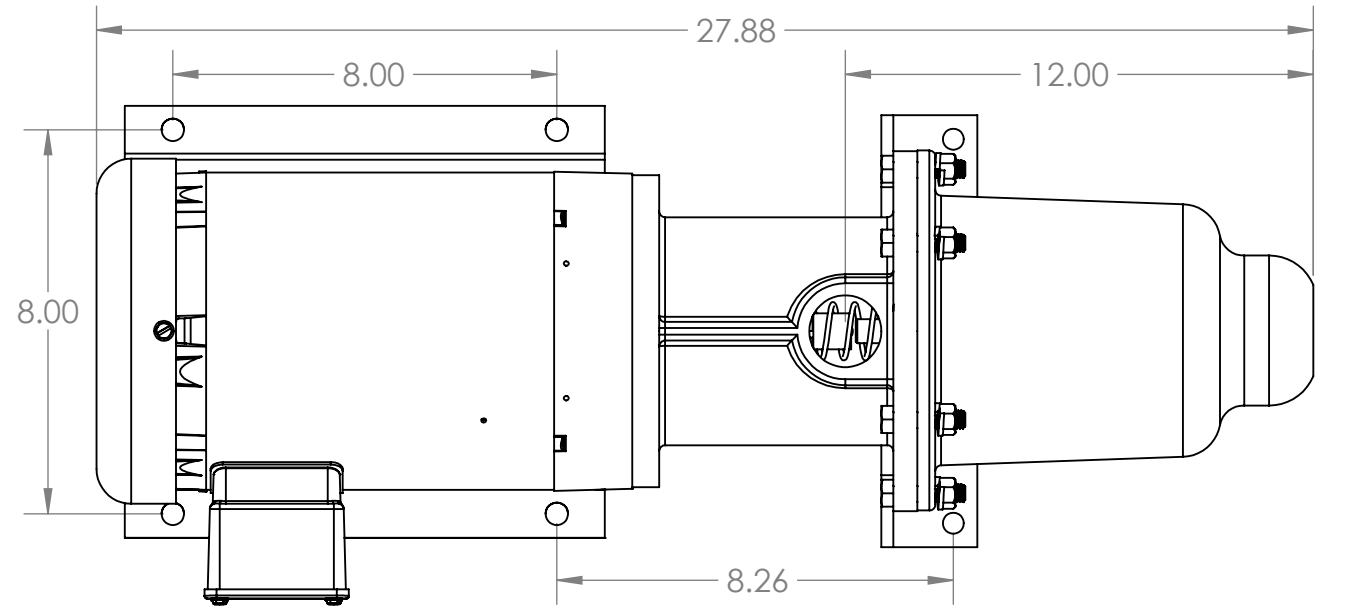


USED ON:	DRAWN BY: HUNTER TANKERSLEY	CONTINENTAL PUMP COMPANY 29425 STATE HIGHWAY B WARRENTON, MISSOURI 63383 PHONE: (636) 456-6006 FAX: (636) 456-4337 www.continentalultrapumps.com	
MATERIAL:	DATE: 1/7/2025	TITLE: CPML67 ASSEMBLY DRAWING	
UNLESS OTHERWISE SPECIFIED: DIMENSIONS ARE IN INCHES TOLERANCES: FRACTIONAL ± ANGULAR: MACH ± BEND ± TWO PLACE DECIMAL ± THREE PLACE DECIMAL ±	PROPRIETARY AND CONFIDENTIAL THE INFORMATION CONTAINED IN THIS DRAWING IS THE SOLE PROPERTY OF CONTINENTAL PUMP COMPANY. ANY REPRODUCTION IN PART OR AS A WHOLE WITHOUT THE WRITTEN PERMISSION OF CONTINENTAL PUMP COMPANY IS PROHIBITED.	SIZE	REV
		DWG. NO.	-
		DO NOT SCALE DRAWING SHEET 1 OF 2	



SUCTION SIZE - 2" NPT
DISCHARGE SIZE - 2" NPT

USED ON:	DRAWN BY: HUNTER TANKERSLEY	CONTINENTAL PUMP COMPANY 29425 STATE HIGHWAY B WARRENTON, MISSOURI 63383 PHONE: (636) 456-6006 FAX: (636) 456-4337 www.continentalultrapumps.com	
MATERIAL:	DATE: 1/7/2025	TITLE: CPML67 ASSEMBLY DRAWING	
UNLESS OTHERWISE SPECIFIED: DIMENSIONS ARE IN INCHES TOLERANCES: FRACTIONAL ± ANGULAR: MACH ± BEND ± TWO PLACE DECIMAL ± THREE PLACE DECIMAL ±	PROPRIETARY AND CONFIDENTIAL THE INFORMATION CONTAINED IN THIS DRAWING IS THE SOLE PROPERTY OF CONTINENTAL PUMP COMPANY. ANY REPRODUCTION IN PART OR AS A WHOLE WITHOUT THE WRITTEN PERMISSION OF CONTINENTAL PUMP COMPANY IS PROHIBITED.	SIZE	DWG. NO.
		DO NOT SCALE DRAWING	
			SHEET 2 OF 2